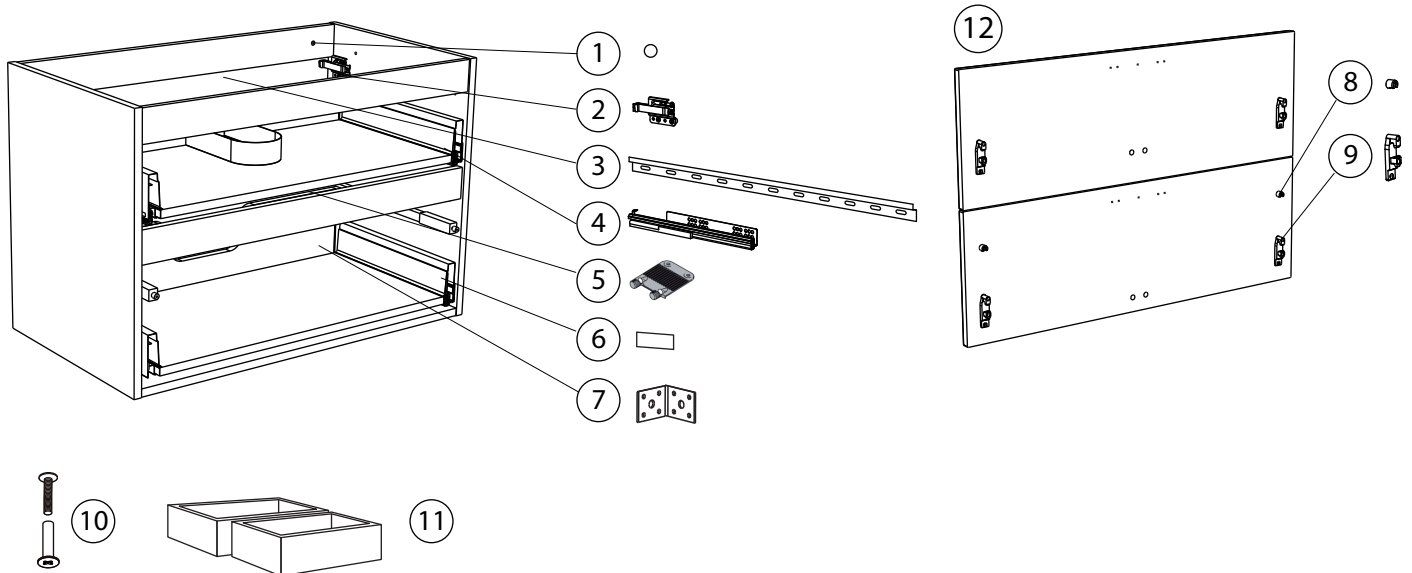


Hafa® SUN, SHAPE

Art.no: 1390100, 1390101, 1390103, 1390104, 1390105, 1390106, 1390108, 1390109, 1390110, 1390111, 1390113, 1390114, 1390115, 1390116, 1390118, 1390119, 1390200, 1390201, 1390202, 1390203, 1390204, 1390205, 1390206, 1390207, 1390208, 1390209, 1390210, 1390211, 1390212, 1390213, 1390214, 1390215, 1390216, 1390217, 1390218, 1390219, 1390220, 1390221, 1390222, 1390223, 1390224, 1390225, 1390226, 1390227, 1390228, 1390229, 1390230, 1390231, 1390232, 1390233, 1390234, 1390235, 1390236, 1390237



| | art.no | beskrivning | description |
|----|----------|--|---|
| 1 | 9202025 | TÄCKBRICKA SJÄLVHÄFTANDE 12MM VIT | COVER ADHESIVE MELAMINE 12MM WHITE |
| | 9210270 | TÄCKBRICKA SJÄLVHÄFTANDE 12MM GRÅ | COVER ADHESIVE MELAMINE 12MM GREY |
| | 9210040 | TÄCKBRICKA SJÄLVHÄFTANDE 12MM ANTRACIT | COVER ADHESIVE MELAMINE 12MM ANTHRACITE |
| 2 | 90005002 | CAMAR UPPHÄNGNINGSBESLAG HÖGER | CAMAR SUSPENSION RIGHT |
| | 90005003 | CAMAR UPPHÄNGNINGSBESLAG VÄNSTER | CAMAR SUSPENSION LEFT |
| 3 | 9204398 | UPPHÄNGNINGSSKENA 600 | SUSPENSION RAIL 600 |
| | 90005048 | UPPHÄNGNINGSSKENA 800 | SUSPENSION RAIL 800 |
| | 9204399 | UPPHÄNGNINGSSKENA 900 | SUSPENSION RAIL 900 |
| | 90005049 | UPPHÄNGNINGSSKENA 1000 | SUSPENSION RAIL 1000 |
| 4 | 9203829 | LÅDSKENA D350MM HÖGER | DRAWER SLIDE D350MM RIGHT |
| | 9203831 | LÅDSKENA D350MM VÄNSTER | DRAWER SLIDE D350MM LEFT |
| | - | LÅDSKENA D300MM (COMPACT) HÖGER | DRAWER SLIDE D300MM (COMPACT) RIGHT |
| | - | LÅDSKENA D300MM (COMPACT) VÄNSTER | DRAWER SLIDE D300MM (COMPACT) LEFT |
| 5 | 9210028 | FRONT-BOTTEN FÄSTE BLUM | FRONT-BOTTOM FASTENING BLUM |
| 6 | 9202045 | HETTICH TÄCKBRICKA VIT | HETTICH COVER WHITE |
| | 9202044 | HETTICH TÄCKBRICKA GRÅ | HETTICH COVER GREY |
| 7 | 9204119 | VINKELJÄRN UPPHÄNGNING | L-STEEL FOR SUSPENSION |
| 8 | 9202034 | FRONTFÄSTE LÅDSIDA | FRONT FASTENING DRAWER SIDE |
| 9 | 9202035 | FRONTFÄSTE RELING | FRONT FASTENING RAIL |
| 10 | 9210039 | SKRUV MED HYLSA FÖR 2X16MM | SCREW WITH SLEEVE FOR 2X16MM |
| 11 | 7000229 | LÅDINREDNING RAMAR BAMBU | DRAWER INSERTS BAMBOO FRAMES |

Hafa®

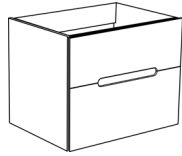
Hafa
Svarvaregatan 5, Box 525
SE-301 80 Halmstad
SWEDEN

Garanti/Warranty.
Service, reservdelar/spare parts
Sweden: +46 (0)35 15 44 75
Norway: +47 (0)69 31 02 30
Finland: +358 (0)9 61500940

www.hafa.se
www.hafa.dk
www.hafabad.no
www.hafa.se
www.hafabathroom.ru
www.hafa.eu

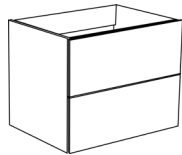
e-mail:
service@hafa.se
service@hafabad.no

Hafa SUN



| | | | |
|---------|-------------------------------------|--|--|
| 12 | 7000044 | FRONTER KOMMOD SUN VIT 600 | FRONTS UNDER CABINET SUN WHITE 600 |
| | 7000045 | FRONTER KOMMOD SUN ANTRACIT 600 | FRONTS UNDER CABINET SUN ANTHRACITE 600 |
| | 7000047 | FRONTER KOMMOD SUN GRÅ 600 | FRONTS UNDER CABINET SUN GREY 600 |
| | 7000048 | FRONTER KOMMOD SUN ASKMÖNSTRAD 600 | FRONTS UNDER CABINET SUN ASH FOIL 600 |
| | 7000049 | FRONTER KOMMOD SUN VIT 800 | FRONTS UNDER CABINET SUN WHITE 800 |
| | 7000050 | FRONTER KOMMOD SUN ANTRACIT 800 | FRONTS UNDER CABINET SUN ANTHRACITE 800 |
| | 7000052 | FRONTER KOMMOD SUN GRÅ 800 | FRONTS UNDER CABINET SUN GREY 800 |
| | 7000053 | FRONTER KOMMOD SUN ASKMÖNSTRAD 800 | FRONTS UNDER CABINET SUN ASH FOIL 800 |
| | 7000054 | FRONTER KOMMOD SUN VIT 900 | FRONTS UNDER CABINET SUN WHITE 900 |
| | 7000055 | FRONTER KOMMOD SUN ANTRACIT 900 | FRONTS UNDER CABINET SUN ANTHRACITE 900 |
| | 7000057 | FRONTER KOMMOD SUN GRÅ 900 | FRONTS UNDER CABINET SUN GREY 900 |
| | 7000058 | FRONTER KOMMOD SUN ASKMÖNSTRAD 900 | FRONTS UNDER CABINET SUN ASH FOIL 900 |
| | 7000059 | FRONTER KOMMOD SUN VIT 1000 | FRONTS UNDER CABINET SUN WHITE 1000 |
| | 7000060 | FRONTER KOMMOD SUN ANTRACIT 1000 | FRONTS UNDER CABINET SUN ANTHRACITE 1000 |
| 7000062 | FRONTER KOMMOD SUN GRÅ 1000 | FRONTS UNDER CABINET SUN GREY 1000 | |
| 7000063 | FRONTER KOMMOD SUN ASKMÖNSTRAD 1000 | FRONTS UNDER CABINET SUN ASH FOIL 1000 | |

Hafa SHAPE



| | | | |
|---------|---------------------------------------|--|--|
| 12 | 7000064 | FRONTER KOMMOD SHAPE VIT 600 | FRONTS UNDER CABINET SHAPE WHITE 600 |
| | 7000065 | FRONTER KOMMOD SHAPE ANTRACIT 600 | FRONTS UNDER CABINET SHAPE ANTHRACITE 600 |
| | 7000066 | FRONTER KOMMOD SHAPE VITBLANK 600 | FRONTS UNDER CABINET SHAPE WHITE GLOSSY 600 |
| | 7000067 | FRONTER KOMMOD SHAPE GRÅ 600 | FRONTS UNDER CABINET SHAPE GREY 600 |
| | 7000068 | FRONTER KOMMOD SHAPE ASKMÖNSTRAD 600 | FRONTS UNDER CABINET SHAPE ASH FOIL 600 |
| | 7000069 | FRONTER KOMMOD SHAPE VIT 800 | FRONTS UNDER CABINET SHAPE WHITE 800 |
| | 7000070 | FRONTER KOMMOD SHAPE ANTRACIT 800 | FRONTS UNDER CABINET SHAPE ANTHRACITE 800 |
| | 7000071 | FRONTER KOMMOD SHAPE VITBLANK 800 | FRONTS UNDER CABINET SHAPE WHITE GLOSSY 80 |
| | 7000072 | FRONTER KOMMOD SHAPE GRÅ 800 | FRONTS UNDER CABINET SHAPE GREY 800 |
| | 7000073 | FRONTER KOMMOD SHAPE ASKMÖNSTRAD 800 | FRONTS UNDER CABINET SHAPE ASH FOIL 800 |
| | 7000074 | FRONTER KOMMOD SHAPE VIT 900 | FRONTS UNDER CABINET SHAPE WHITE 900 |
| | 7000075 | FRONTER KOMMOD SHAPE ANTRACIT 900 | FRONTS UNDER CABINET SHAPE ANTHRACITE 900 |
| | 7000076 | FRONTER KOMMOD SHAPE VITBLANK 900 | FRONTS UNDER CABINET SHAPE WHITE GLOSSY 900 |
| | 7000077 | FRONTER KOMMOD SHAPE GRÅ 900 | FRONTS UNDER CABINET SHAPE GREY 900 |
| | 7000078 | FRONTER KOMMOD SHAPE ASKMÖNSTRAD 900 | FRONTS UNDER CABINET SHAPE ASH FOIL 900 |
| | 7000079 | FRONTER KOMMOD SHAPE VIT 1000 | FRONTS UNDER CABINET SHAPE WHITE 1000 |
| | 7000080 | FRONTER KOMMOD SHAPE ANTRACIT 1000 | FRONTS UNDER CABINET SHAPE ANTHRACITE 1000 |
| | 7000081 | FRONTER KOMMOD SHAPE VITBLANK 1000 | FRONTS UNDER CABINET SHAPE WHITE GLOSSY 1000 |
| 7000082 | FRONTER KOMMOD SHAPE GRÅ 1000 | FRONTS UNDER CABINET SHAPE GREY 1000 | |
| 7000083 | FRONTER KOMMOD SHAPE ASKMÖNSTRAD 1000 | FRONTS UNDER CABINET SHAPE ASH FOIL 1000 | |

Hafa[®]

Hafa
Svarvaregatan 5, Box 525
SE-301 80 Halmstad
SWEDEN

Garanti/Warranty.
Service, reservdelar/spare parts
Sweden: +46 (0)35 15 44 75
Norway: +47 (0)69 31 02 30
Finland: +358 (0)9 61500940

www.hafa.se
www.hafa.dk
www.hafabad.no
www.hafa.se
www.hafabathroom.ru
www.hafa.eu

e-mail:
service@hafa.se
service@hafabad.no